

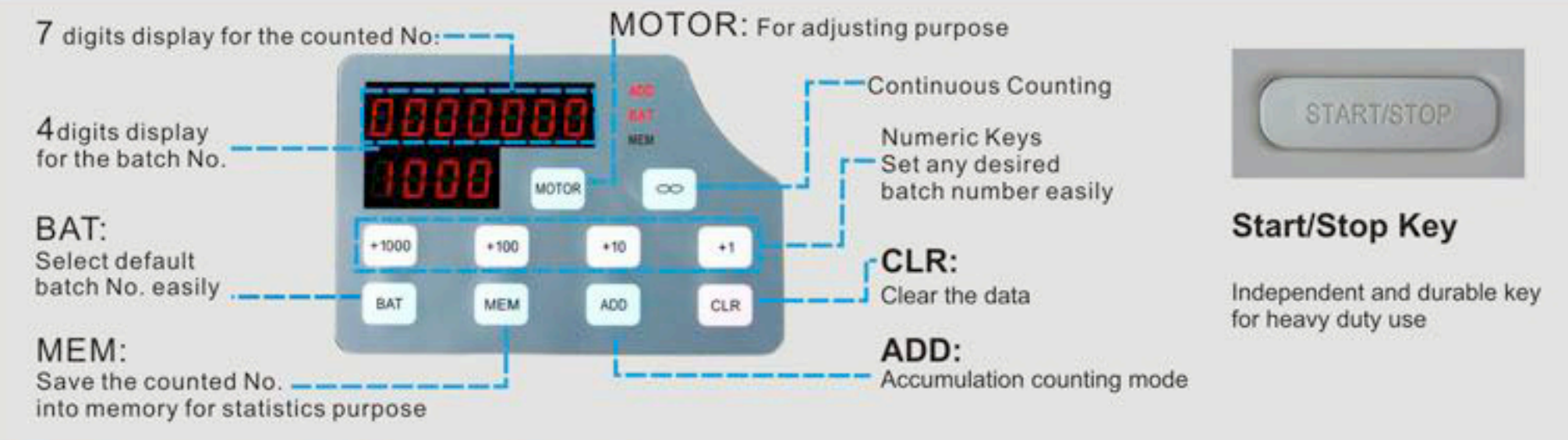
HSD-3500AH

HIGH SPEED & HEAVY DUTY MOTORIZED COIN COUNTER



HSD-3500AH High Speed & Heavy Duty Coin Counter

Operation Panel



Features & Specifications

External Display

Optional part, widely used in bank, casino...



Cotton Bag

Two free cotton bags for collecting the counted coins and rejected coins are included as standard auxiliary parts



Hopper

The extended hopper is included as standard auxiliary part, increase the hopper capacity up to 18,000 coins (Max.)



RS232

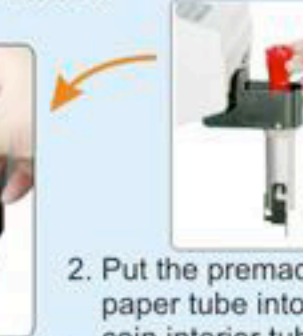
Optional part for computer communication



Coin Tube Set

Optional coin tube set provide a convenient & economic solution for packing the coins into paper roller

1. Drop the coin interior tube down into the tube holder.



3. After the batch counting take out the paper tube and seal the paper tube manually.



Motorized Hopper



Motorized hopper for control the flux of the oins to avoid jamming and assure the counting speed.



The thickness adjusting Ass. Can be opened completely to remove any jammed coins



the counting passage and hopper can be opened completely.

Counting Speed:	≤2500 coins/min
Hopper Capacity:	18,000 coins(diameter of 15mm and thickness of 1mm)
Countable Coin Size:	Thickness: 0.7~3.9mm; Diameter: 14~34mm
Transportation Packing:	2 units / carton
Carton Dimensions:	70cm x 56.5cm x 34cm
Gross Weight / Carton:	28.5kg / ctn

MACMONT

gaming supplies

24 A Richard Street Hindmarsh SA 5007
 Direct 08 83403633 | Mobile 0417 812 275
 Office 08 83401322 | Fax 08 83403342
 Email john@macmontgaming.com.au
 www.macmontgaming.com.au